

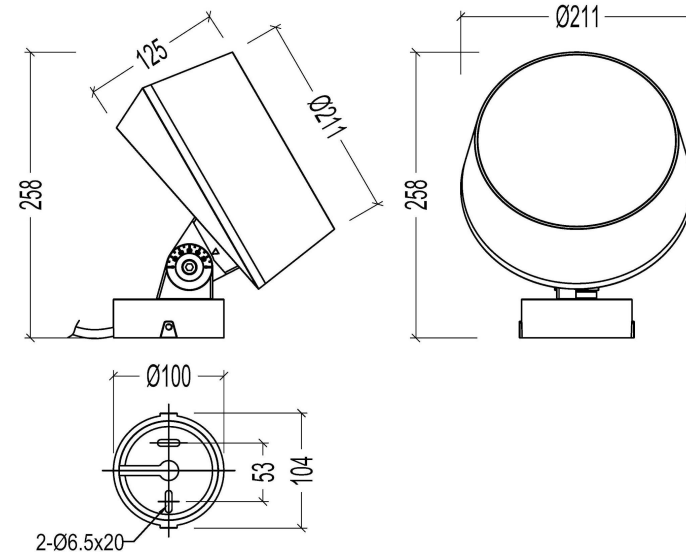
Beam

FL-0211-R

A mid-power version, the Beam FL-0211-R, shares the robust design of Beam FL-0171-R but is more suited for medium-sized areas like parking lots or commercial courtyards. The various beam angles and control options ensure flexible and effective lighting for safety and aesthetics.



Product Dimension Drawings



Technical Specification

Operation Voltage	220-240 VAC
Power Consumption	48 W
Luminous Flux	2880 lm
Beam Angle *	8° / 15° / 20° / 30° / 45° / 60°
Color LED	2700 K – 6500 K
Color Fixture	White, Grey, Black
Color Rendering	≥ 80
Material	Die Casting Aluminium
IP Grade	IP66
Ambient Temperature Range	-20°C - +45°C
Ambient Humidity Range	10% - 95% RH
Control Mode	1-10 V, DMX or DALI

* IES file available on request