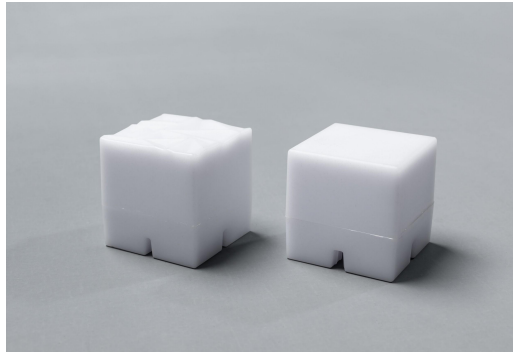


COLIBRI
ST-50

The Colibri ST-50 differs from its sister model PL-50 by its irregular surface, which is based on a broken stone structure. This makes it particularly suitable for integration in paved areas and natural stone while maintaining its versatility in facade and ceiling lighting installations.

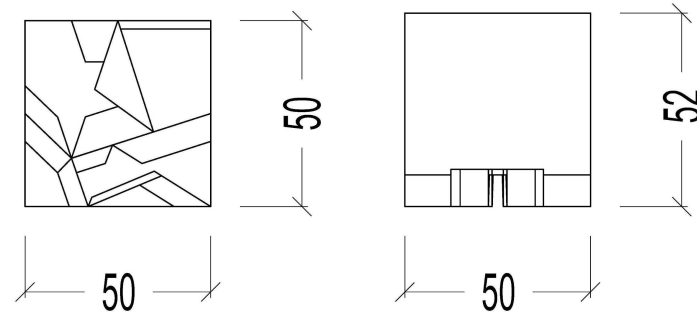
Due to the surface structure, it is applied 2 millimetres higher as compared to its sister model PL-50.



Technical Specification

Operation Voltage	12 VDC
Power Consumption	0.25 W
Color LED	2700K & 4000K or B/ R/ G/ Y
Color Fixture	White Diffuse
Material	Polycarbonate UV-Stabilized
IP Grade	IP44 (IP67 when the terminal space is filled with silicone)
Ambient Temperature Range	-20°C - +45°C
Ambient Humidity Range	10% - 95% RH
Accessories	Recessed casing available

Product Dimension Drawings



Technical Specification

